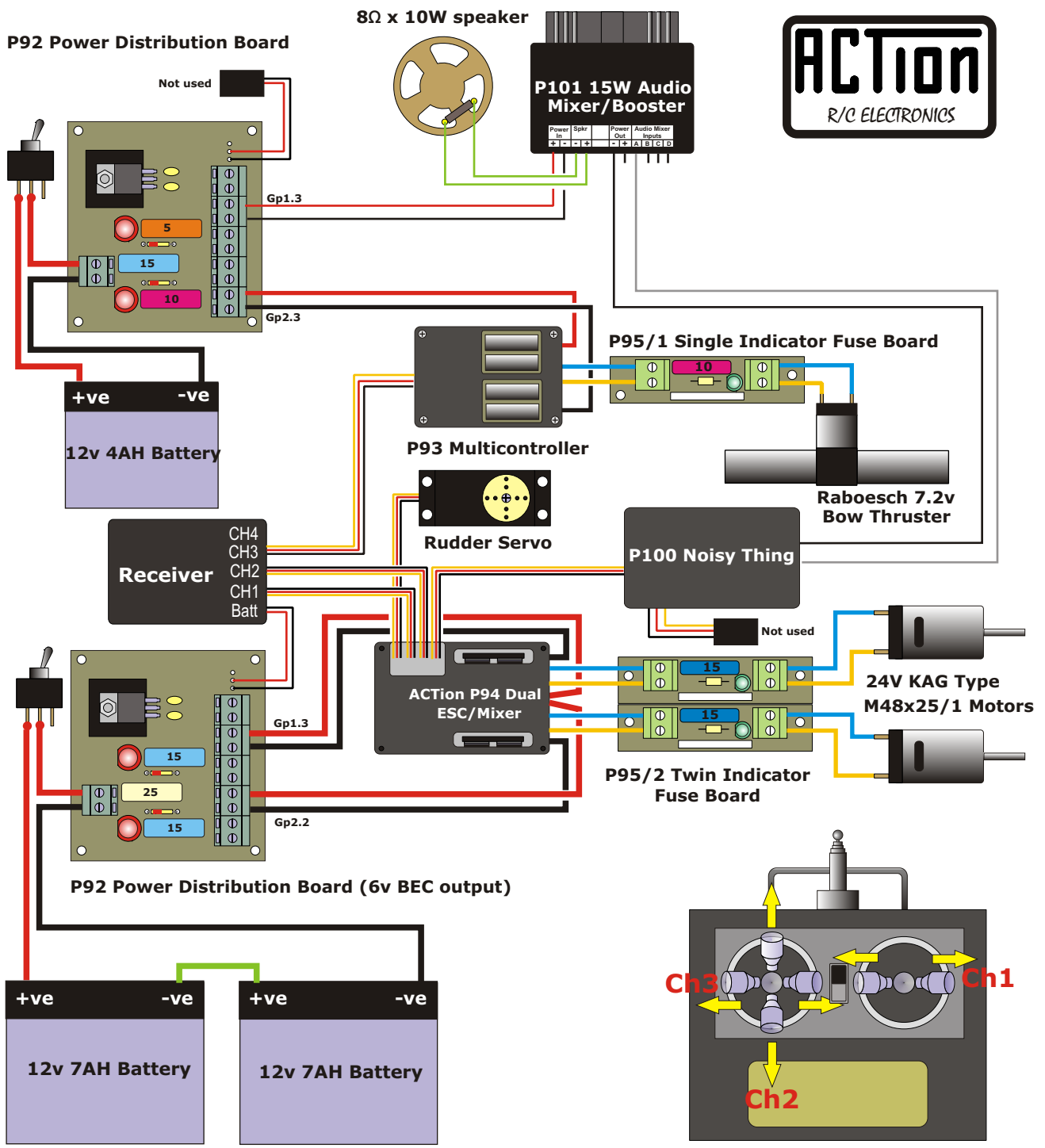
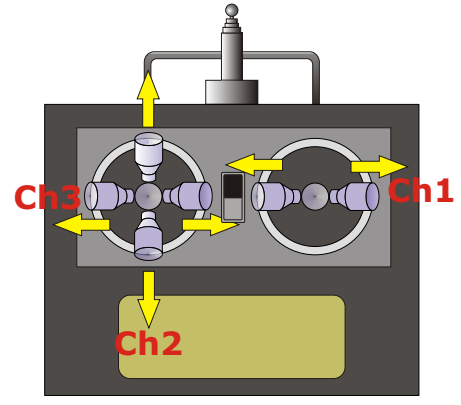


# Installation of ACTION Electronics in 1/12 scale "Severn" Class lifeboat for Mr Peter Flew



Batteries wired in series to give 24 volts



**Channel 1 = Steering**  
**Channel 2 = Main motors**  
**Channel 3 = Bow Thruster**

*Drawn by Dave Milbourn*

© Action R/C Electronics