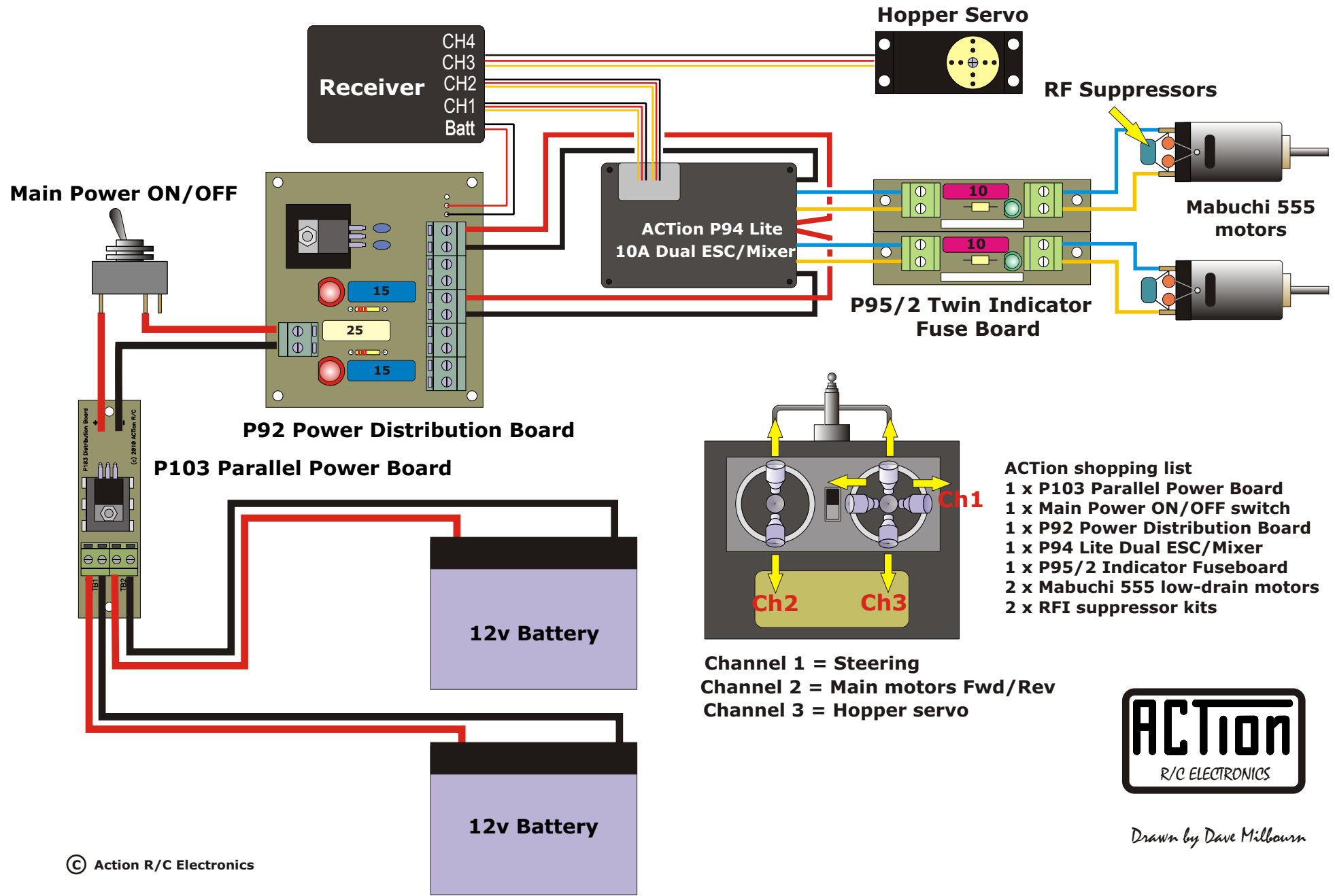


INSTALLATION OF ACTION ELECTRONICS IN Bait Boat for Mr Jon Nutter



- Action shopping list**
- 1 x P103 Parallel Power Board
 - 1 x Main Power ON/OFF switch
 - 1 x P92 Power Distribution Board
 - 1 x P94 Lite Dual ESC/Mixer
 - 1 x P95/2 Indicator Fuseboard
 - 2 x Mabuchi 555 low-drain motors
 - 2 x RFI suppressor kits

Channel 1 = Steering
 Channel 2 = Main motors Fwd/Rev
 Channel 3 = Hopper servo



Drawn by Dave Milbourn