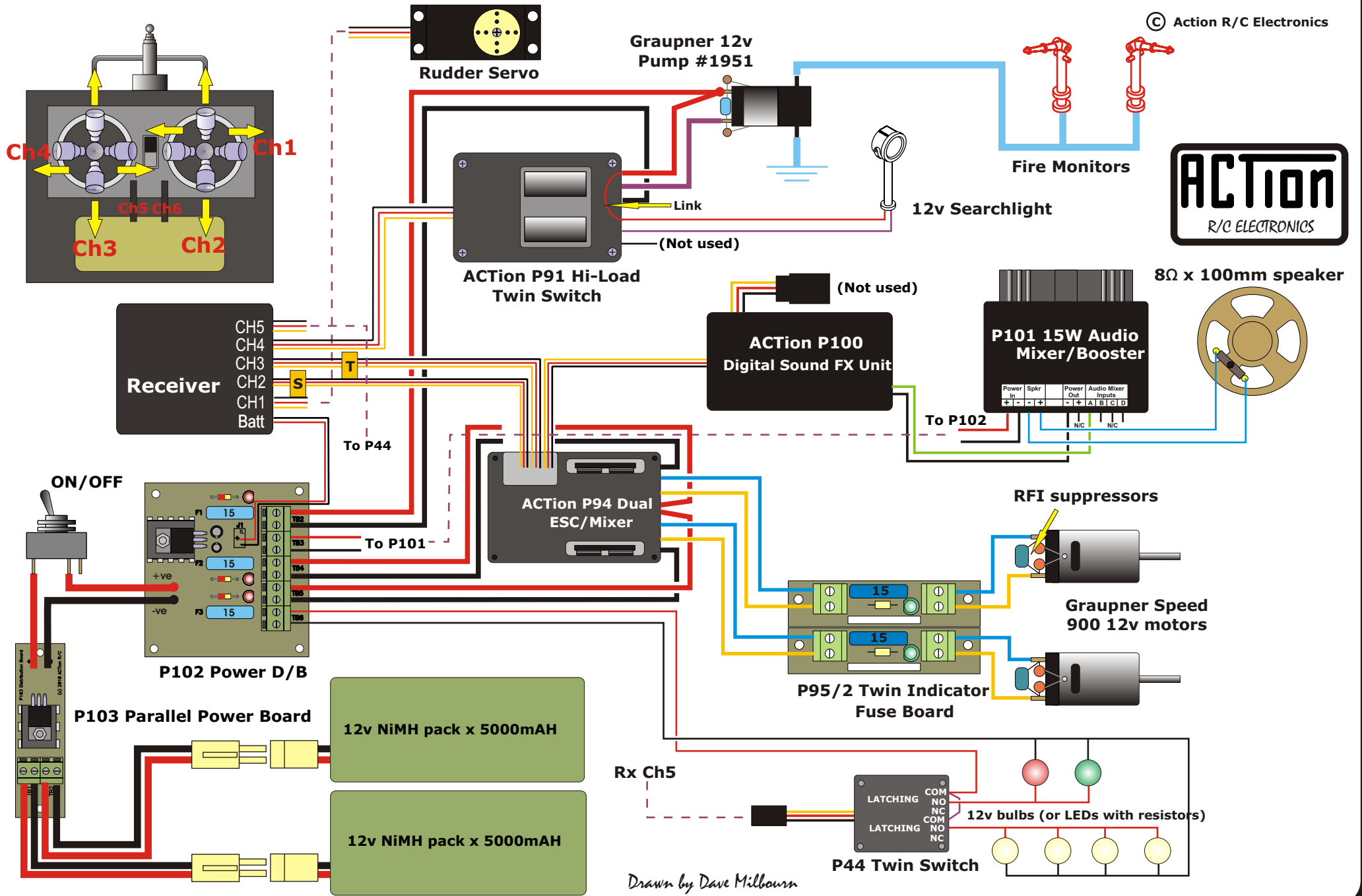


SUGGESTED INSTALLATION OF ACTION UNITS IN V.M.W. 46" "VOSPER CRASH TENDER" for Mr David Curtiss

© Action R/C Electronics



Drawn by Dave Milbourn