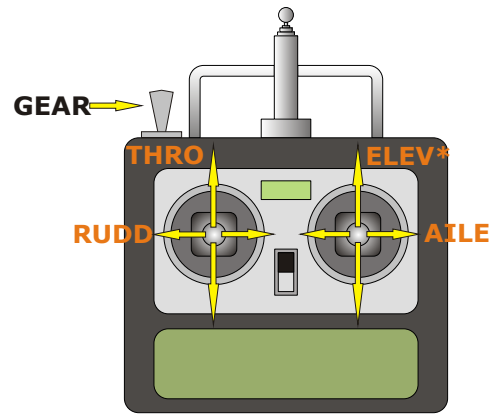
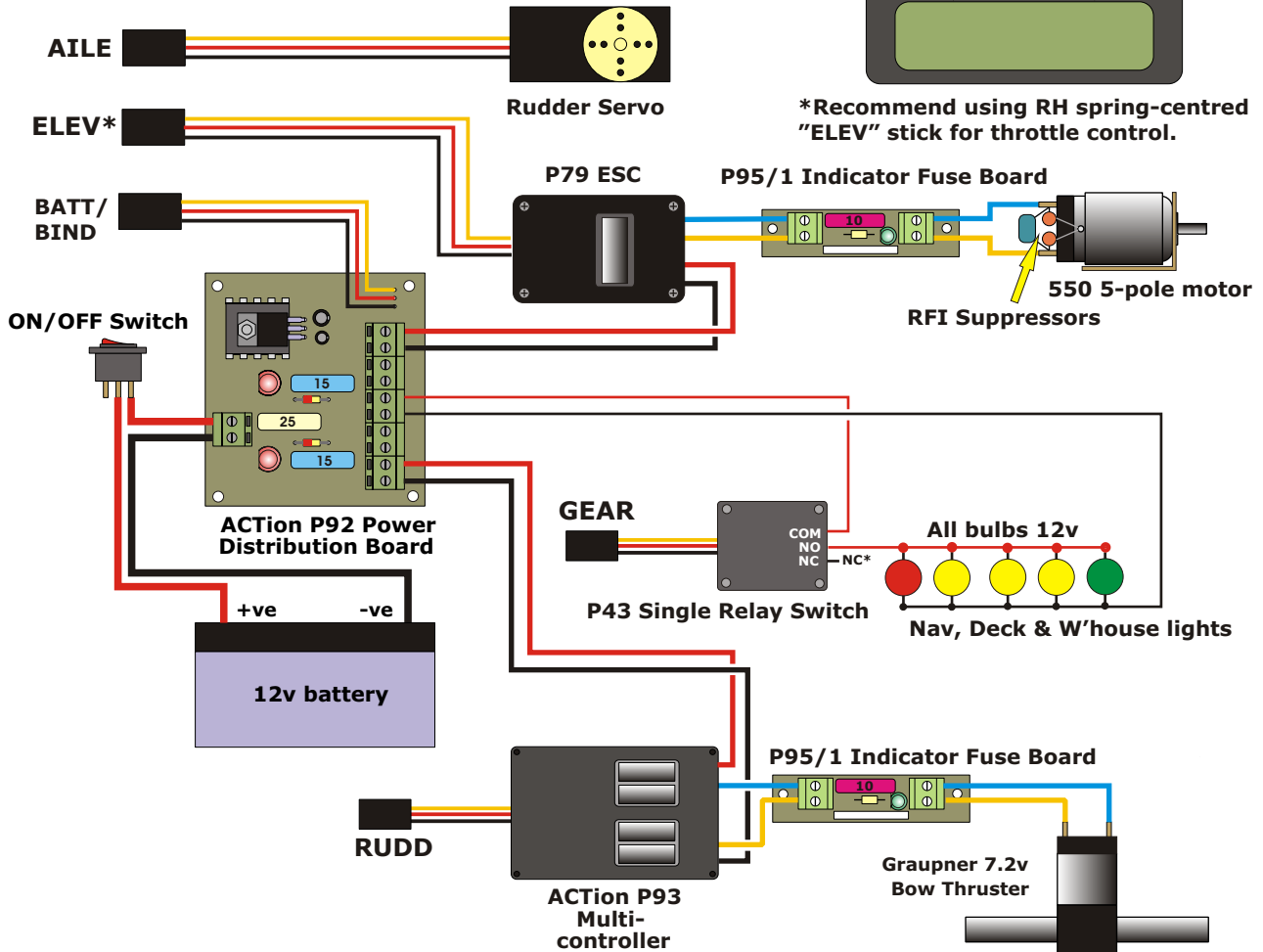




Legend indicates connections to Spektrum AR500 receiver



\*Recommend using RH spring-centred "ELEV" stick for throttle control.



**SUGGESTED INSTALLATION OF ACTION ELECTRONICS IN MODIFIED MODEL SLIPWAY**  
**"COASTER" FOR MR MARK MURPHY**