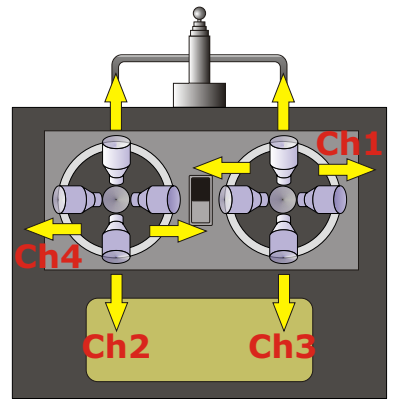


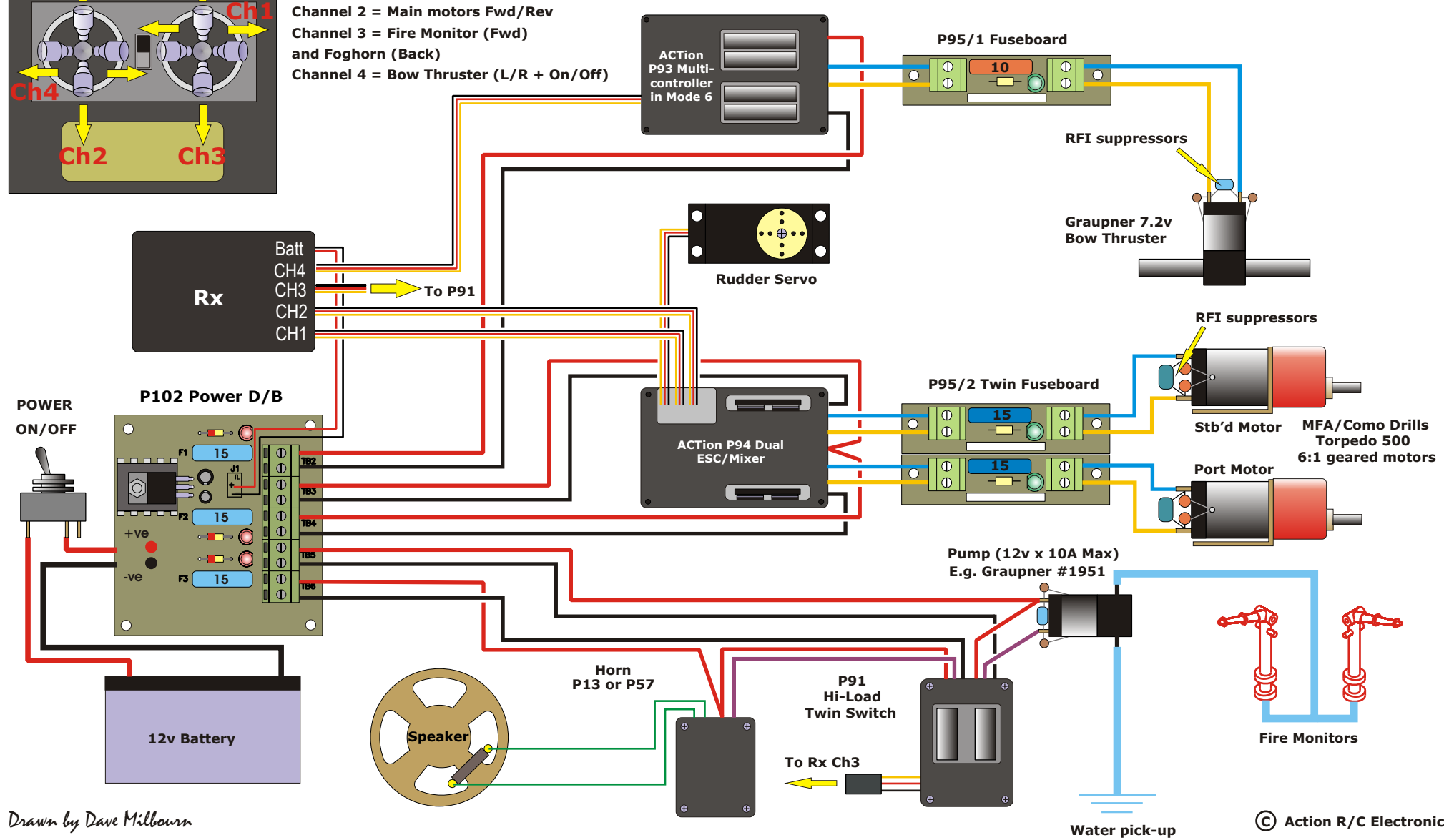
SUGGESTED INSTALLATION IN TWIN-MOTOR TUG OR FIREBOAT



Electronic units shown are available from www.component-shop.co.uk



- Channel 1 = Steering
- Channel 2 = Main motors Fwd/Rev
- Channel 3 = Fire Monitor (Fwd) and Foghorn (Back)
- Channel 4 = Bow Thruster (L/R + On/Off)



Drawn by Dave Milbourn

© Action R/C Electronics