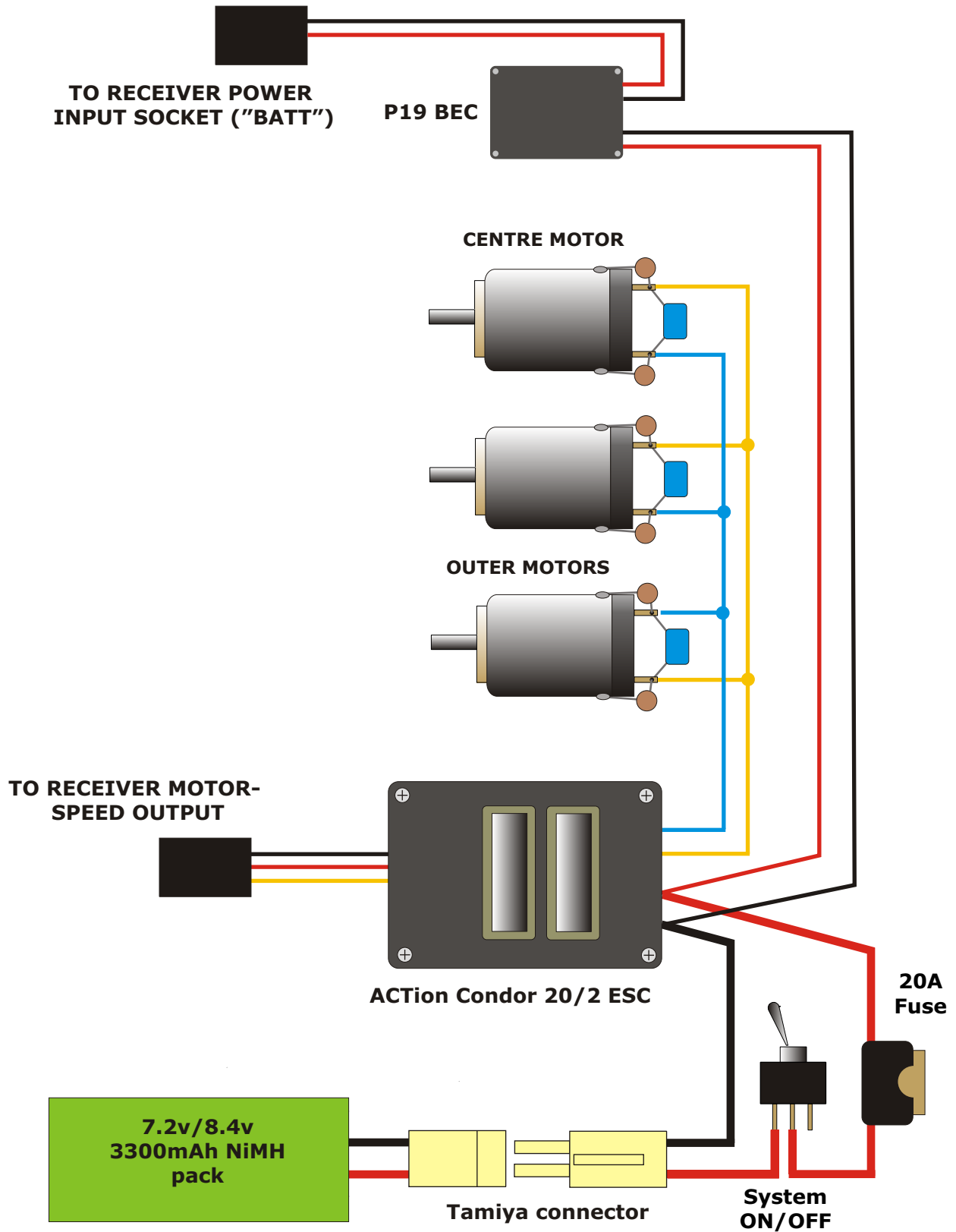


**SUGGESTED INSTALLATION OF 3 X 385-TYPE MOTORS IN
ITALERI ELCO PT BOAT**



Electronic units shown are available from www.component-shop.co.uk