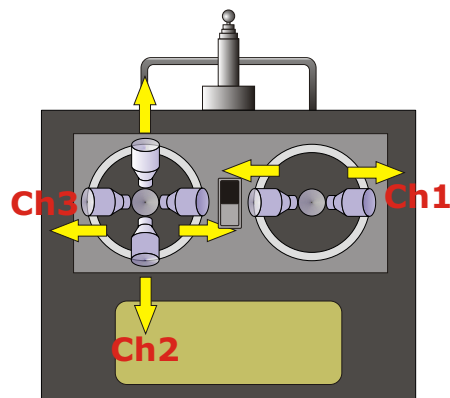
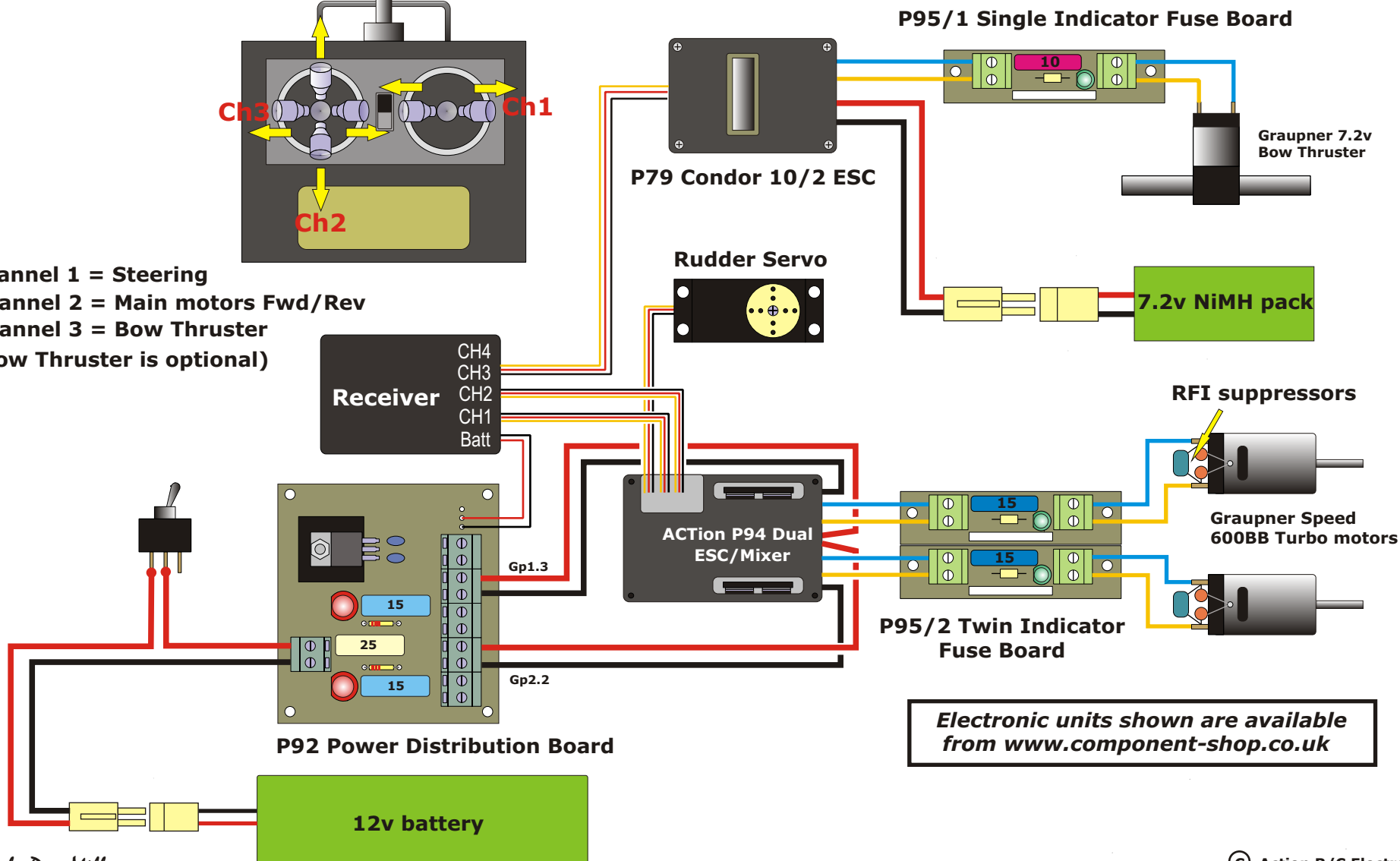




Installation of ACTION Electronics in Speedline Models' "Severn" Class lifeboat for Mr Terry Small



Channel 1 = Steering
Channel 2 = Main motors Fwd/Rev
Channel 3 = Bow Thruster
(Bow Thruster is optional)



Electronic units shown are available from www.component-shop.co.uk

Drawn by Dave Milbourn