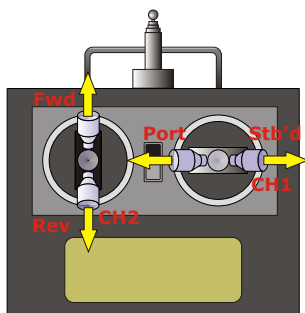
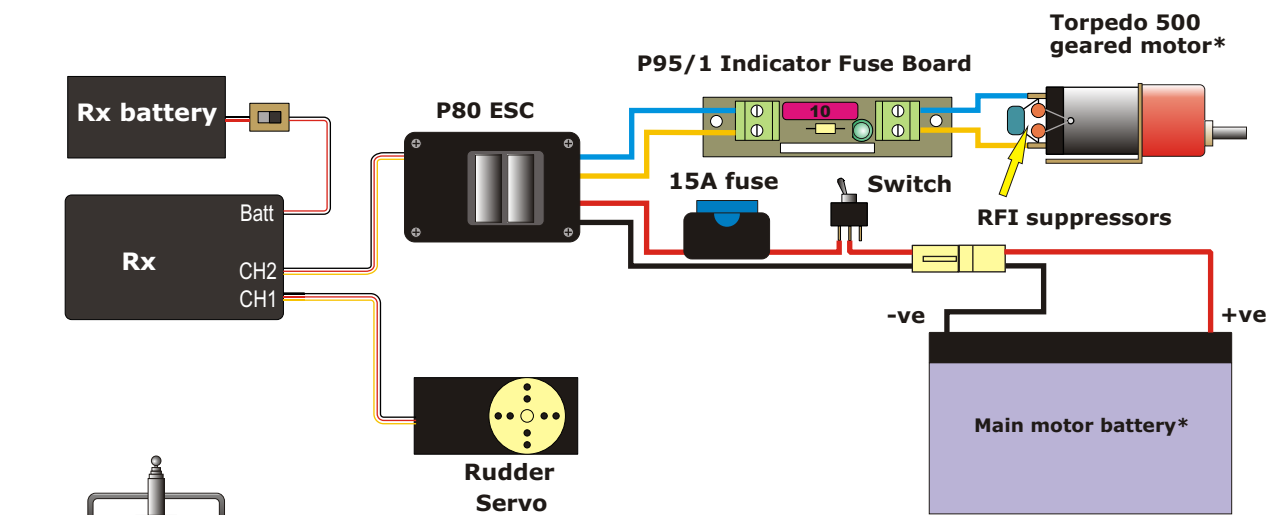


**SUGGESTED INSTALLATION OF ACTION ELECTRONICS IN MODEL SLIPWAY  
 "ENVOY", "ASSURANCE", "MAGGIE M", "LOYAL CLASS" AND "COASTER"**



\*For 6v supply, use 2.3:1 gearbox. Use 6:1 ratio for 12v.  
 Alternative direct drive, use 12v ACTION low-drain 55v motor.

**Electronic units shown are available  
 from [www.component-shop.co.uk](http://www.component-shop.co.uk)**



*Drawn by Dave Milbourn*

© Action R/C Electronics