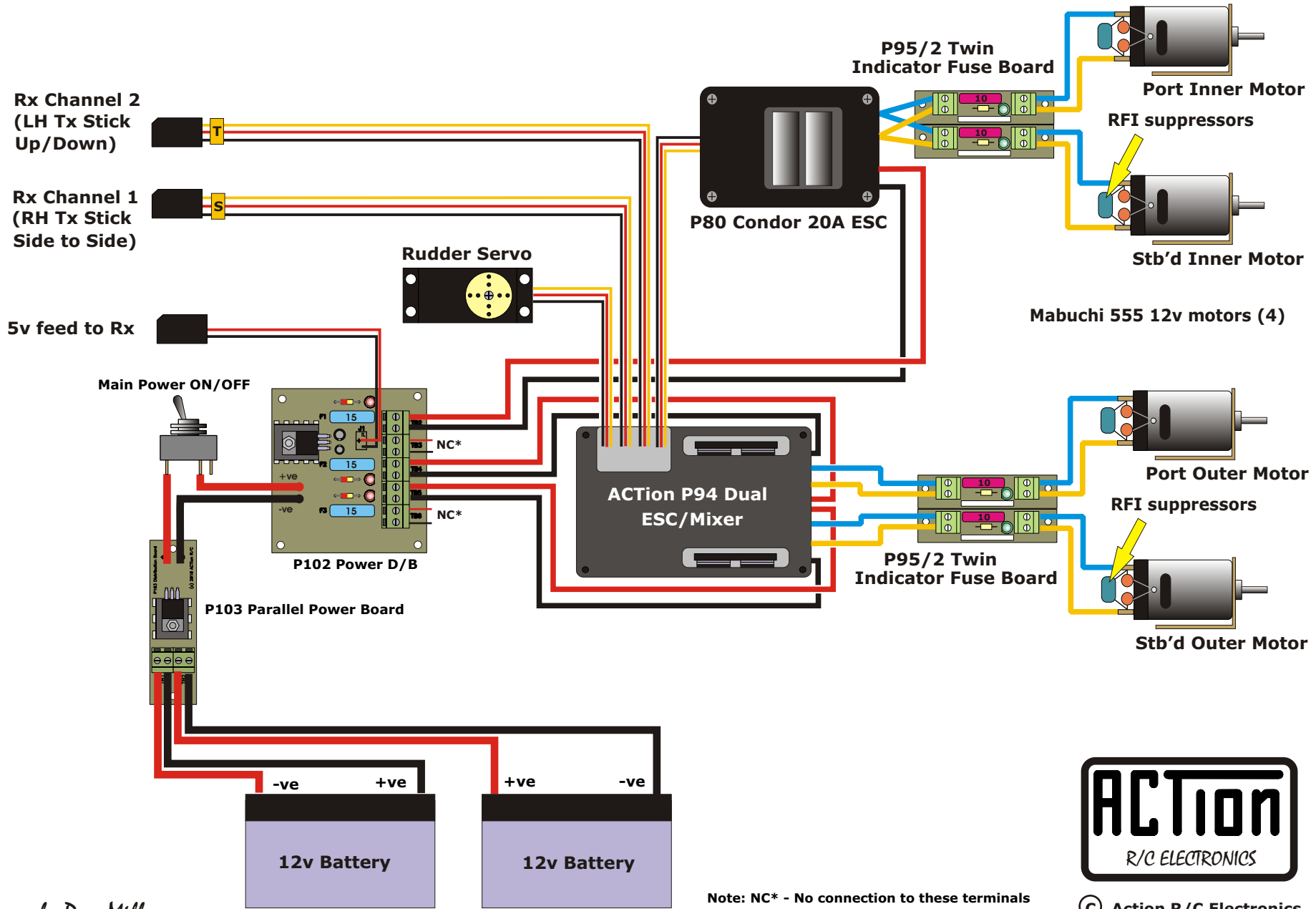


**SUGGESTED INSTALLATION OF ACTION ELECTRONICS IN "HMS Eagle" for Mr Graham Heald**



*Drawn by Dave Milbourn*

Note: NC\* - No connection to these terminals



© Action R/C Electronics