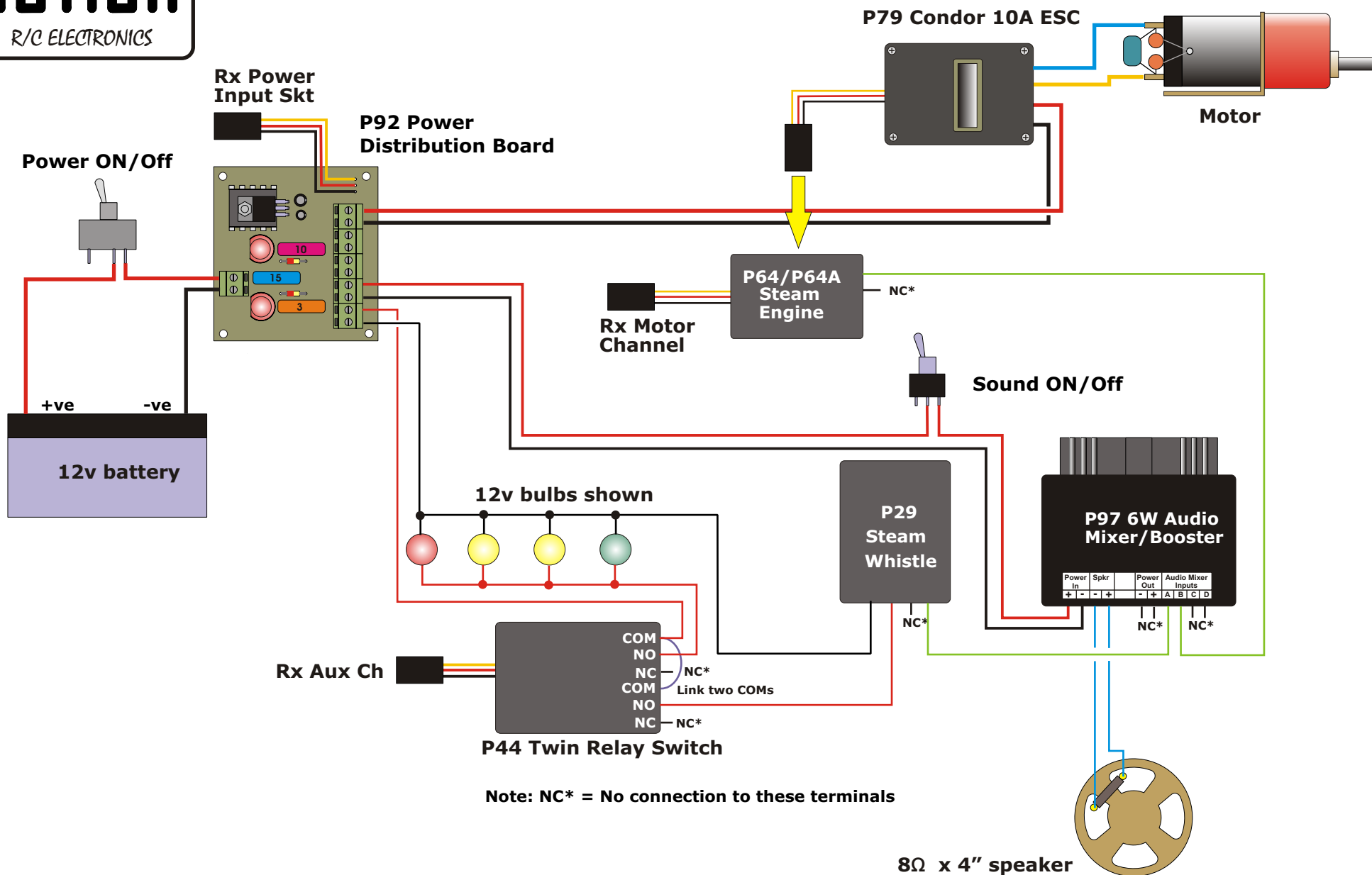




INSTALLATION OF ACTION UNITS IN PUFFER AND DRIFTER FOR MR M EVANS



Note: NC* = No connection to these terminals