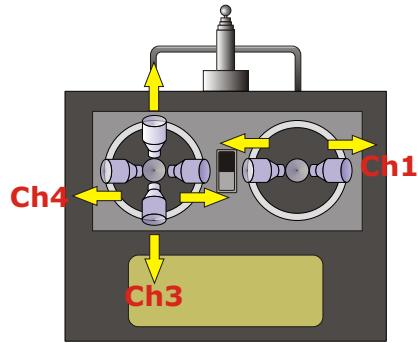


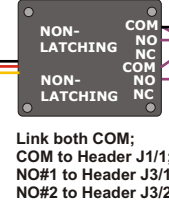
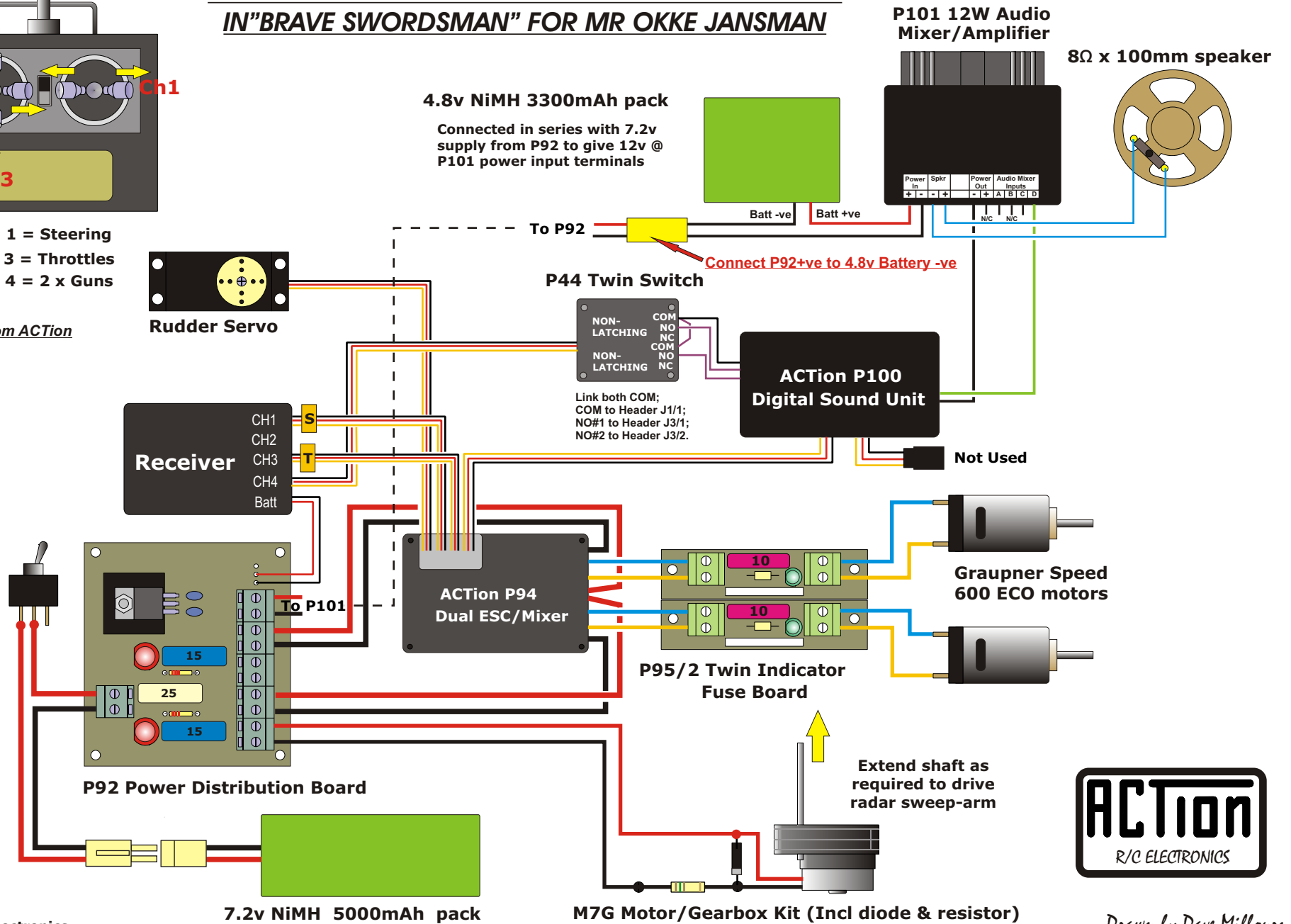
## SUGGESTED INSTALLATION OF ACTION ELECTRONICS IN "BRAVE SWORDSMAN" FOR MR OKKE JANSMAN



Channel 1 = Steering  
Channel 3 = Throttles  
Channel 4 = 2 x Guns

Shopping List from ACTION

- P94
- P92
- 16A Switch
- P44
- P95/2
- P100
- P101
- P100 CD-ROM kit
- 100mm speaker
- M7G



Power In	Spkr	Power Out	Audio Mixer Inputs
+ -	- +	- +	A   B   C   D
			NC   NC

