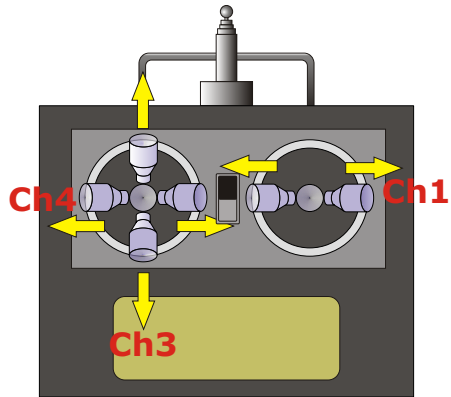
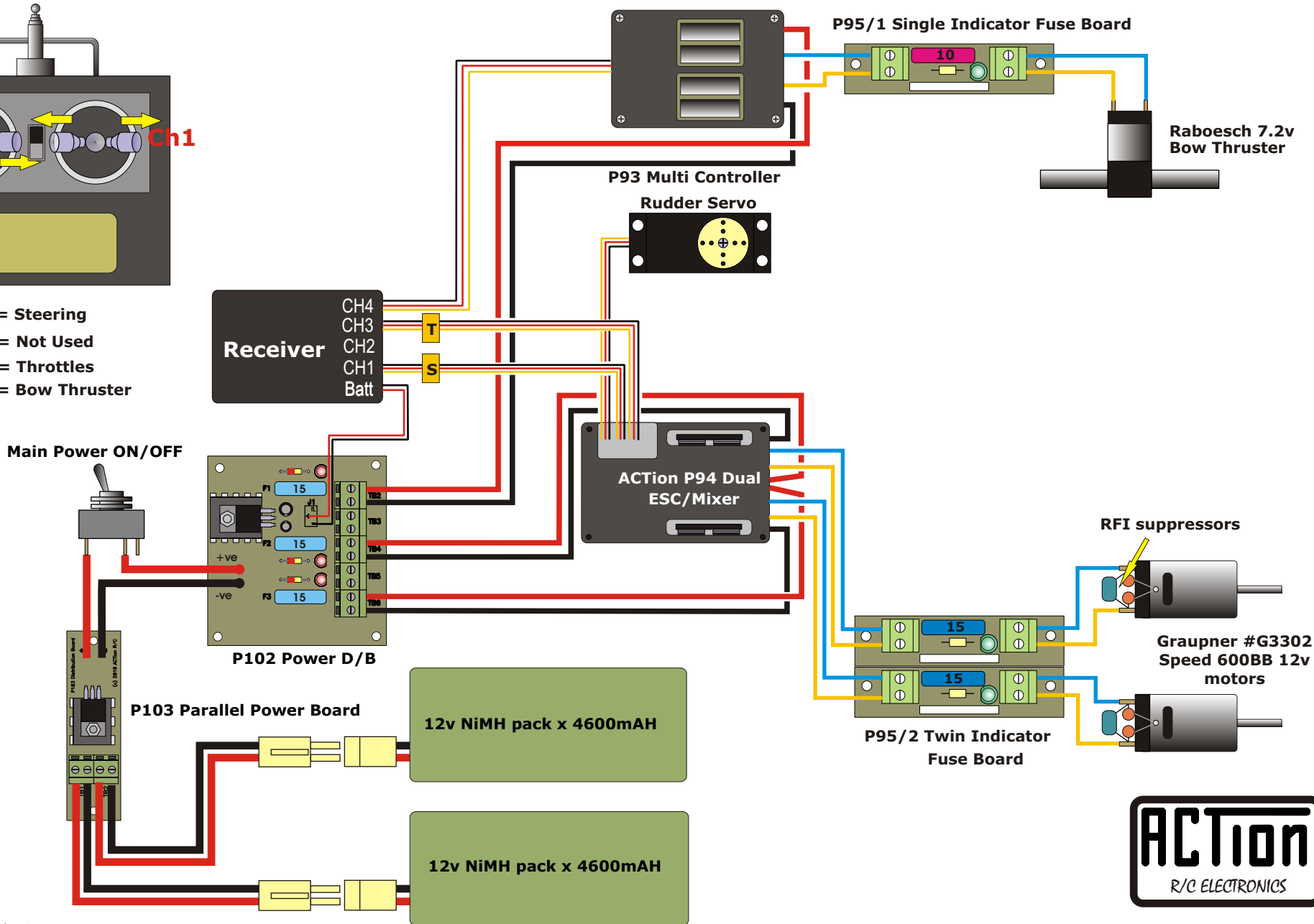


SUGGESTED INSTALLATION OF ACTION UNITS IN SPEEDLINE 1/16 "SEVERN" FOR MR MAGNUS BUDGE (Ver2)



- Channel 1 = Steering
- Channel 2 = Not Used
- Channel 3 = Throttles
- Channel 4 = Bow Thruster



Drawn by Dave Milbourn

