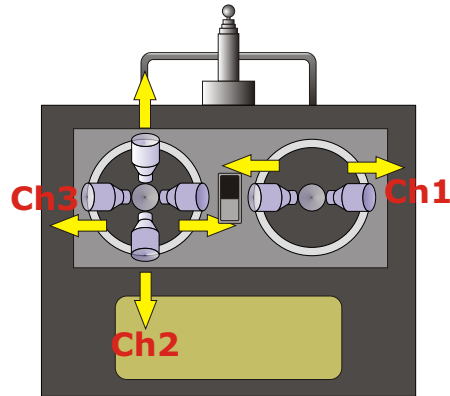


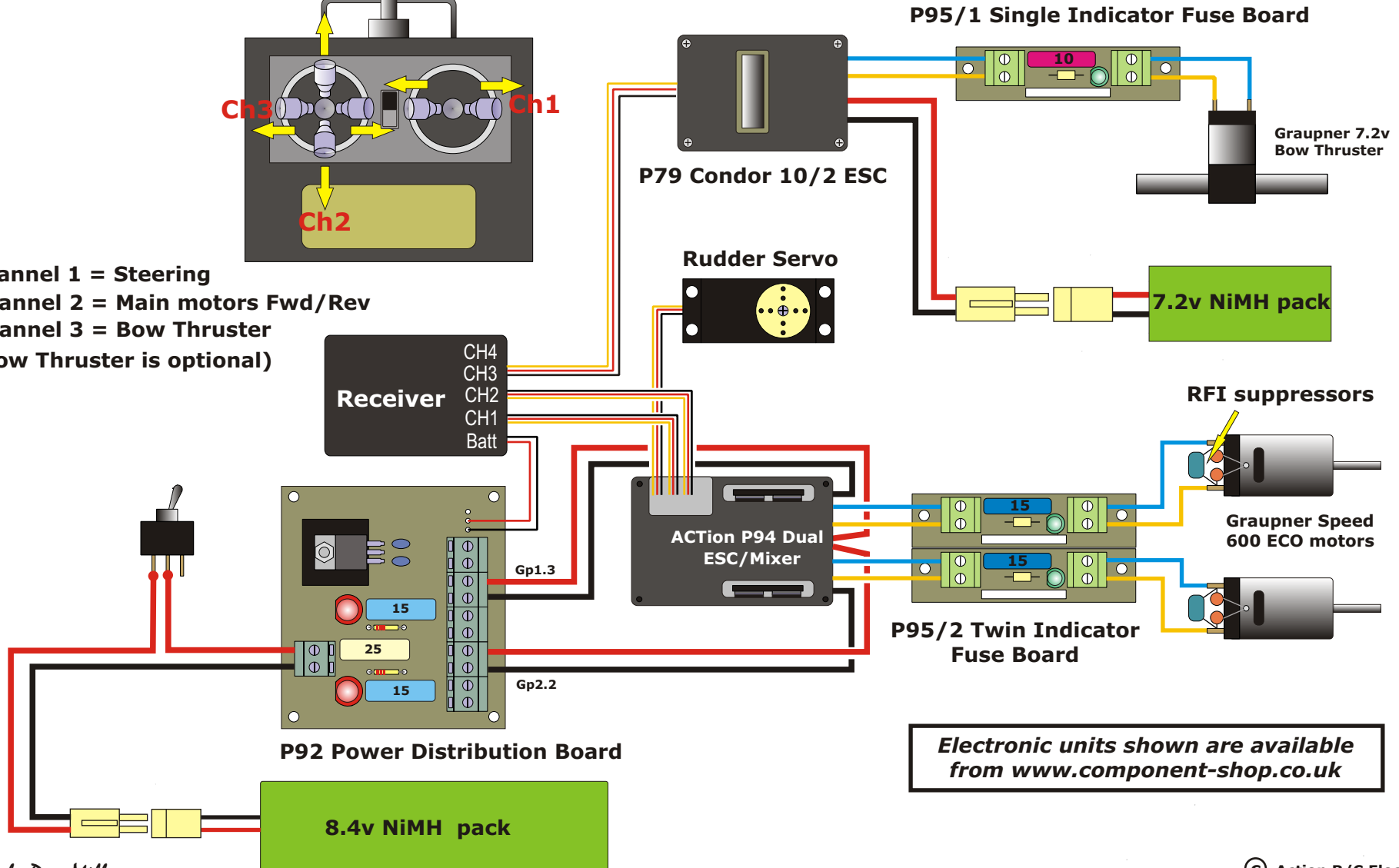


## SUGGESTED INSTALLATION OF ACTION ELECTRONICS IN MODEL SLIPWAY "TAMAR" CLASS LIFEBOAT

Without the bow thruster fitted, this installation is also suitable for Trent, Range Safety, Drumbeat of Devon and Kawkab.



Channel 1 = Steering  
Channel 2 = Main motors Fwd/Rev  
Channel 3 = Bow Thruster  
(Bow Thruster is optional)



Electronic units shown are available from [www.component-shop.co.uk](http://www.component-shop.co.uk)