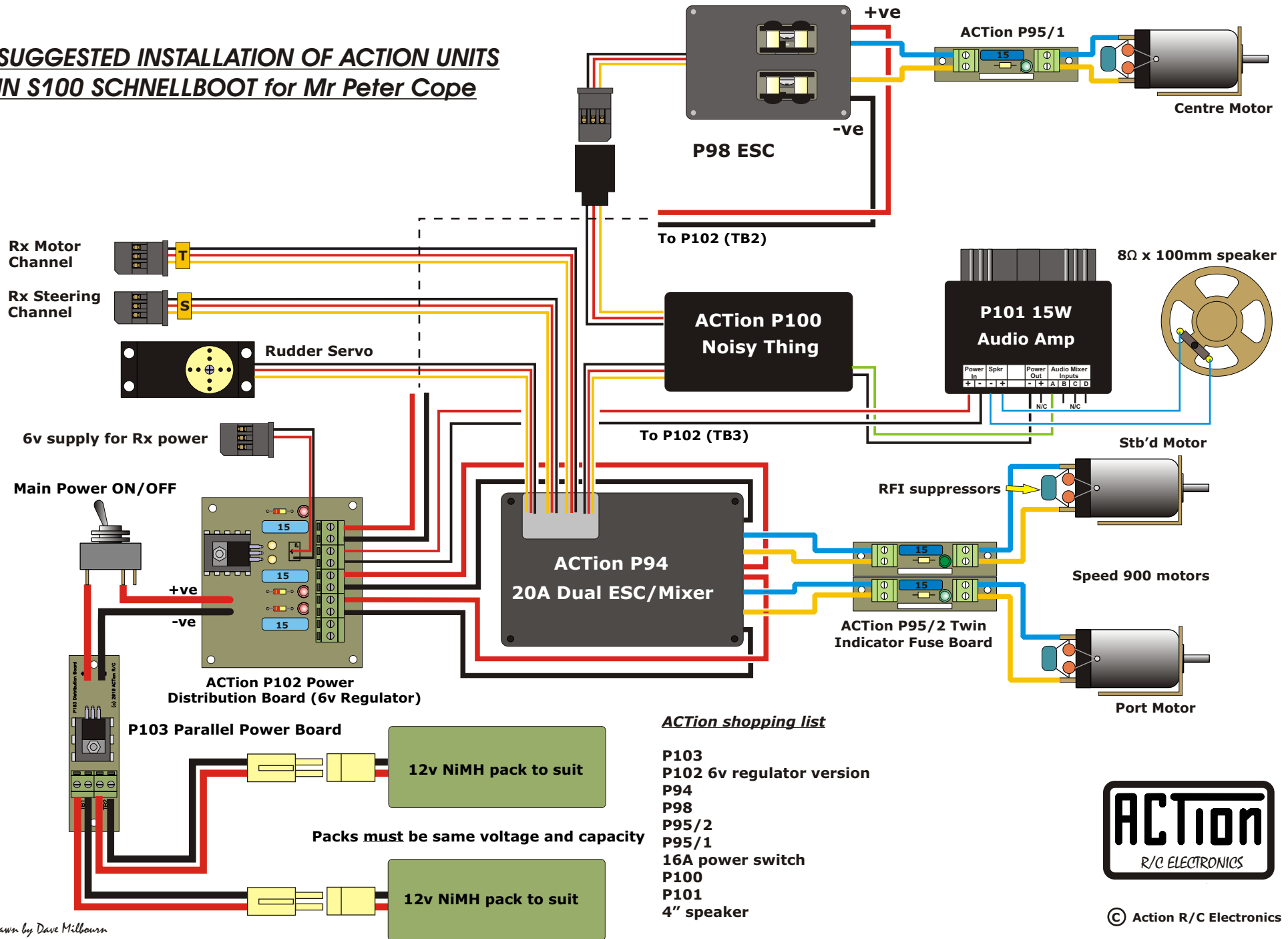


# SUGGESTED INSTALLATION OF ACTION UNITS IN S100 SCHNELLBOOT for Mr Peter Cope



### *Action shopping list*

- P103
- P102 6v regulator version
- P94
- P98
- P95/2
- P95/1
- 16A power switch
- P100
- P101
- 4" speaker



© Action R/C Electronics

Drawn by Dave Milbourn