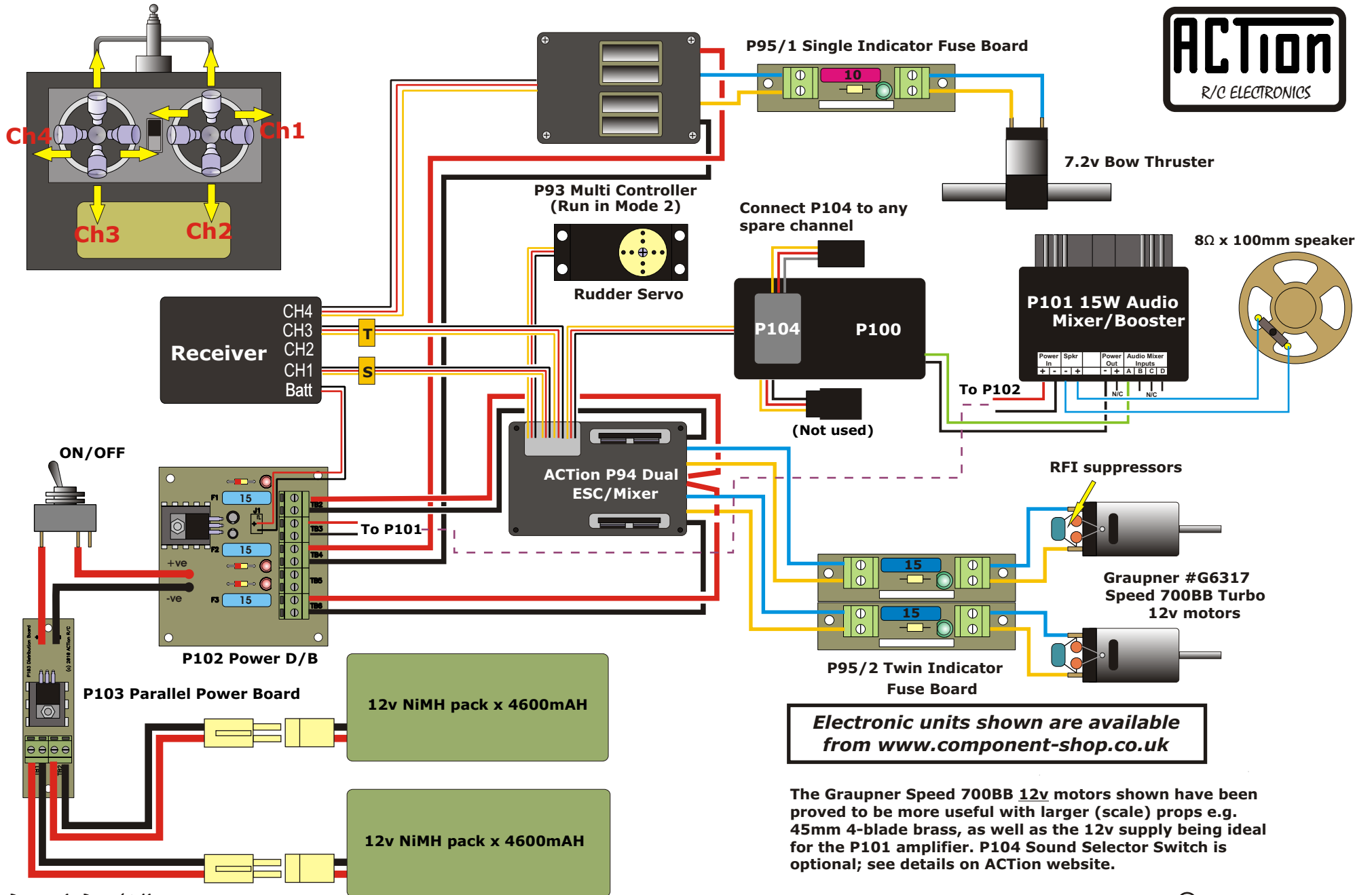


SUGGESTED INSTALLATION OF ACTION UNITS IN MODEL SLIPWAY "TAMAR" using 12v motors and power supply.



Electronic units shown are available from www.component-shop.co.uk

The Graupner Speed 700BB 12v motors shown have been proved to be more useful with larger (scale) props e.g. 45mm 4-blade brass, as well as the 12v supply being ideal for the P101 amplifier. P104 Sound Selector Switch is optional; see details on ACTION website.

Drawn by Dave Milbourn