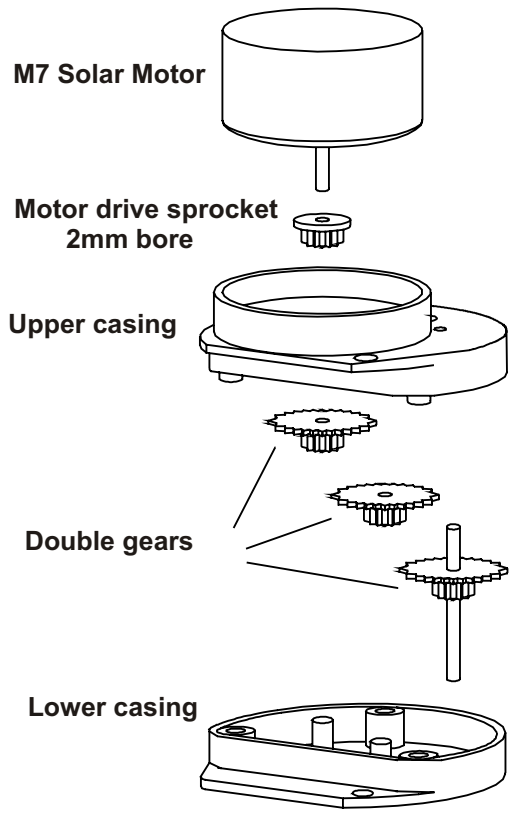
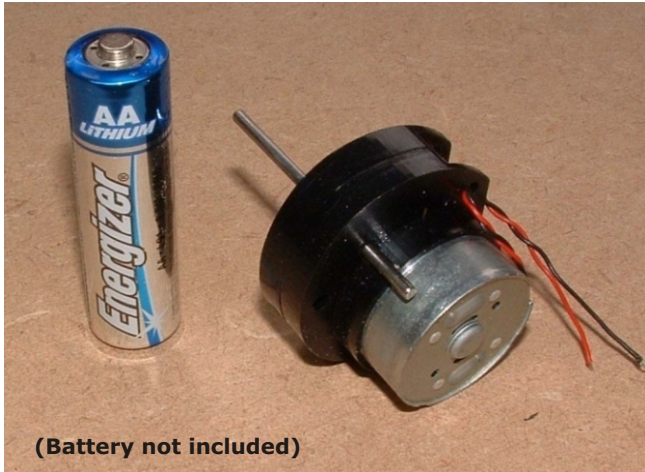




M7G Motor/Gearbox



Use:
 Many modellers fit this unit into the superstructure of their model, immediately below the radar scanner(s) and extending the 2mm shaft through the S/S roof to drive the sweep-arm(s). By choosing the correct combination of electronic components you may obtain the correct rotational speed using a supply of 1.2v, 6v or 12v - See drawing below.

