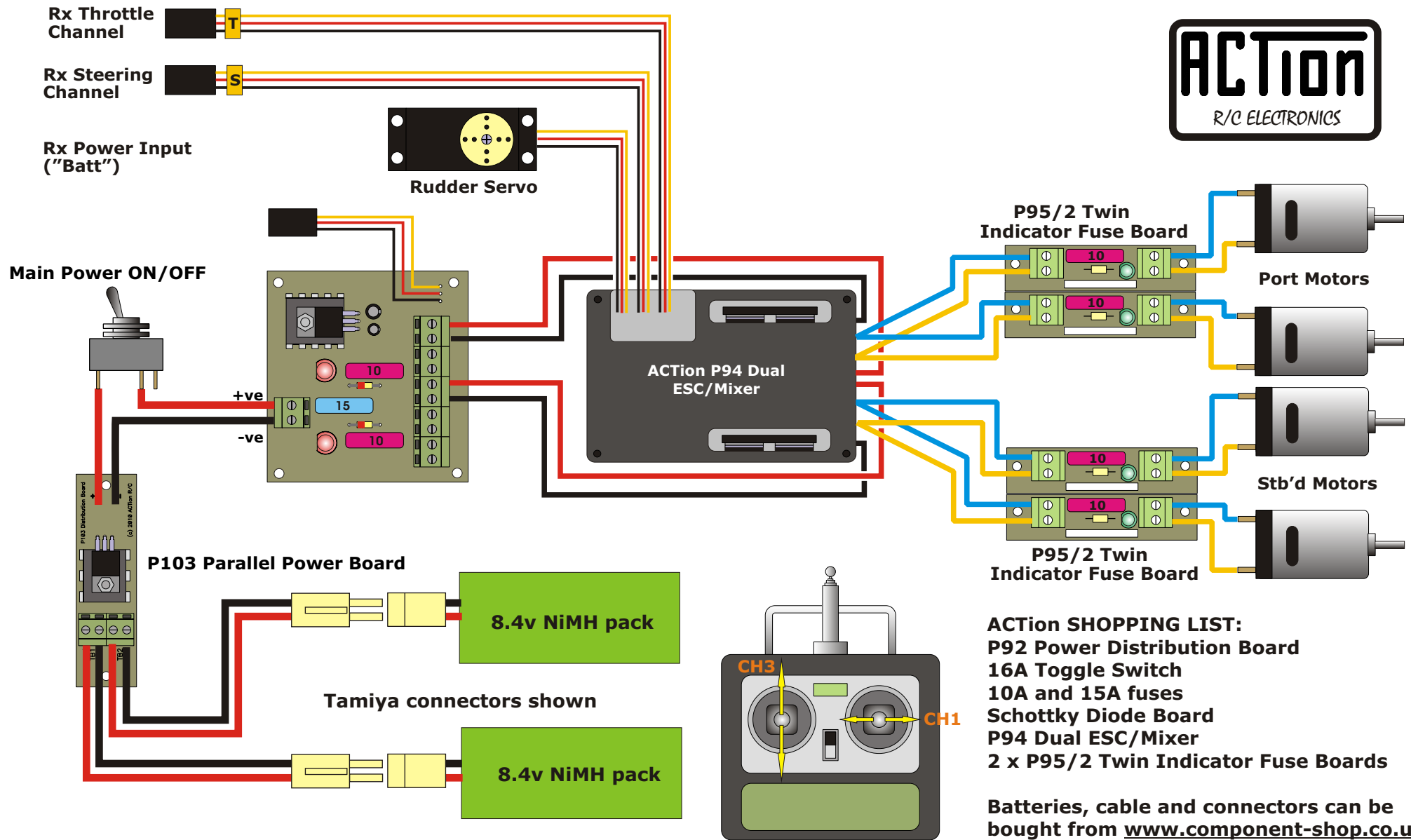
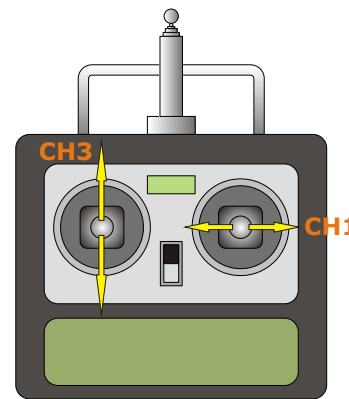


# SUGGESTED INSTALLATION OF ACTION ELECTRONICS IN GRAUPNER "HMS HOOD" FOR MR JOHN TEW



- ACTION SHOPPING LIST:**  
 P92 Power Distribution Board  
 16A Toggle Switch  
 10A and 15A fuses  
 Schottky Diode Board  
 P94 Dual ESC/Mixer  
 2 x P95/2 Twin Indicator Fuse Boards

Batteries, cable and connectors can be bought from [www.component-shop.co.uk](http://www.component-shop.co.uk)



Ch1 = Steering  
 Ch3 = Throttles