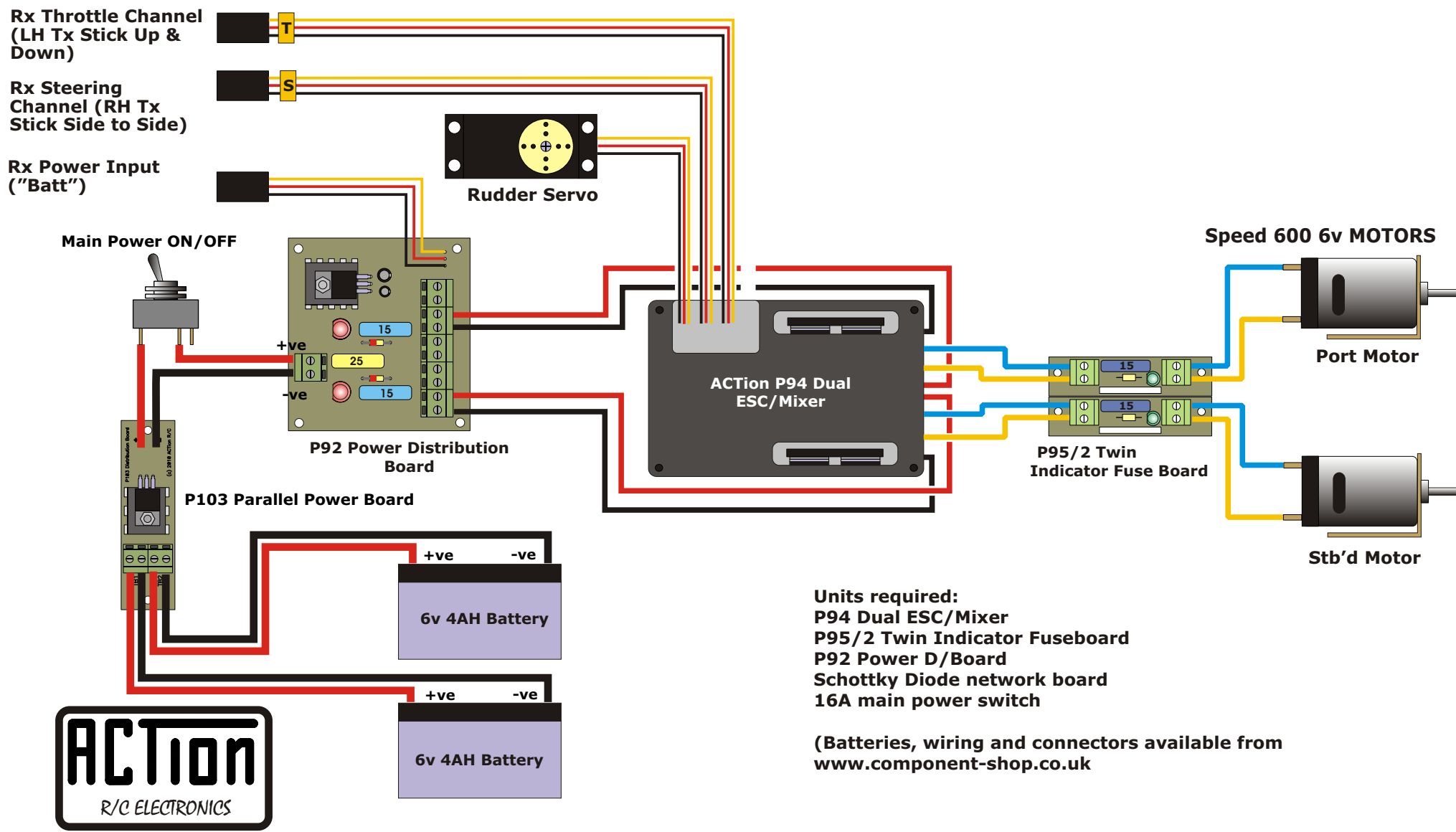


SUGGESTED INSTALLATION OF ACTION ELECTRONICS IN GRAUPNER "GRAFF SPEE" FOR MR C J WILLIAMS



- Units required:**
- P94 Dual ESC/Mixer
 - P95/2 Twin Indicator Fuseboard
 - P92 Power D/Board
 - Schottky Diode network board
 - 16A main power switch

(Batteries, wiring and connectors available from www.component-shop.co.uk)

