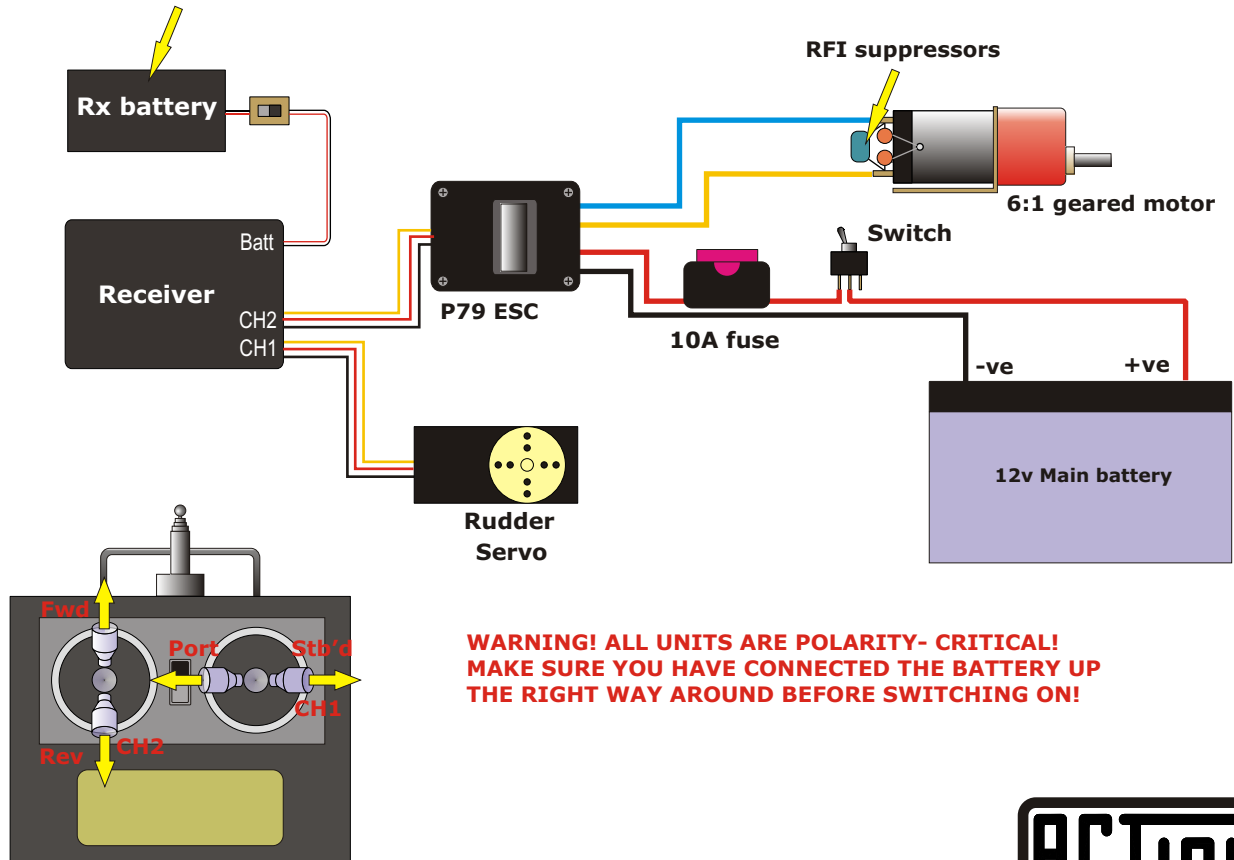


Use battery box and harness supplied with radio.
It accepts 4 x AA rechargeable cells



**WARNING! ALL UNITS ARE POLARITY- CRITICAL!
MAKE SURE YOU HAVE CONNECTED THE BATTERY UP
THE RIGHT WAY AROUND BEFORE SWITCHING ON!**

Drawn by Dave Milbourn



© Action R/C Electronics