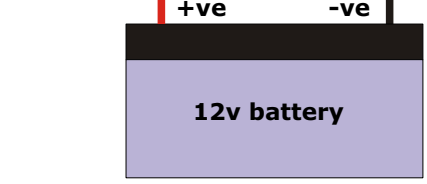
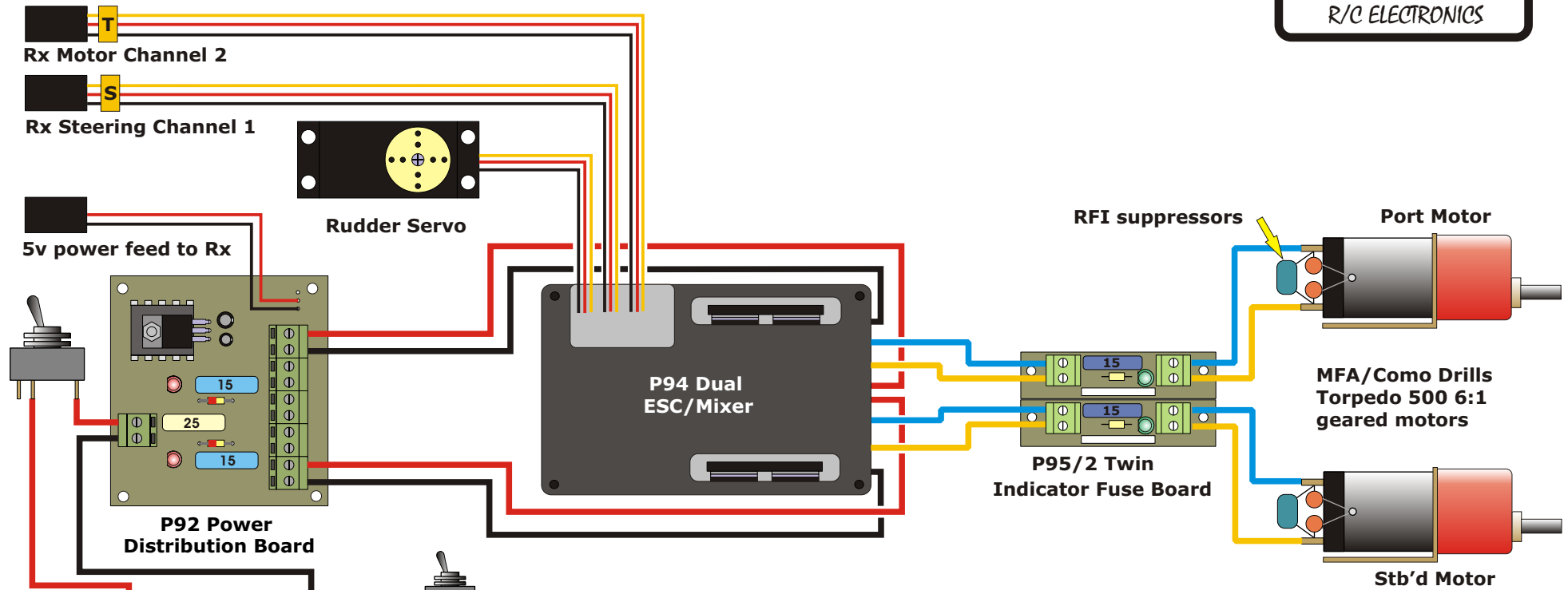
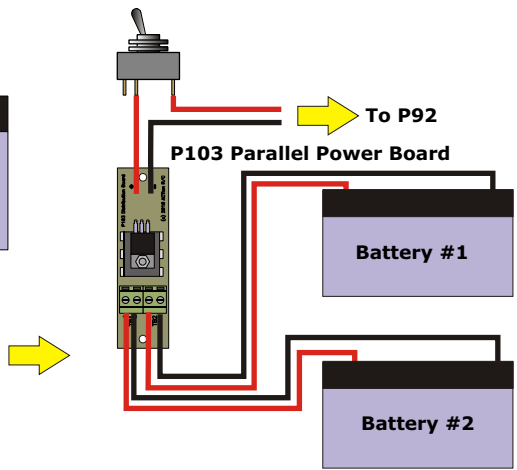


BASIC TWIN MOTOR INSTALLATION , USING P94 DUAL ESC/MIXER UNIT



Alternative wiring, using two batteries for double capacity > running time. Batteries MUST be the same voltage, capacity and type.



Alternative motors (2 required) with 12v battery :
 Mabuchi 555*
 Torpedo 500 geared 6:1 (shown)*
 ACTION 755*
 Graupner Speed 720 Torque
 ACTION 900*

With 6.0 - 7.2v battery:
 Mabuchi 555*
 Low-drain 540 or 545 (generic types)
 Torpedo 500 geared 2.5:1*

*Available from ACTION

