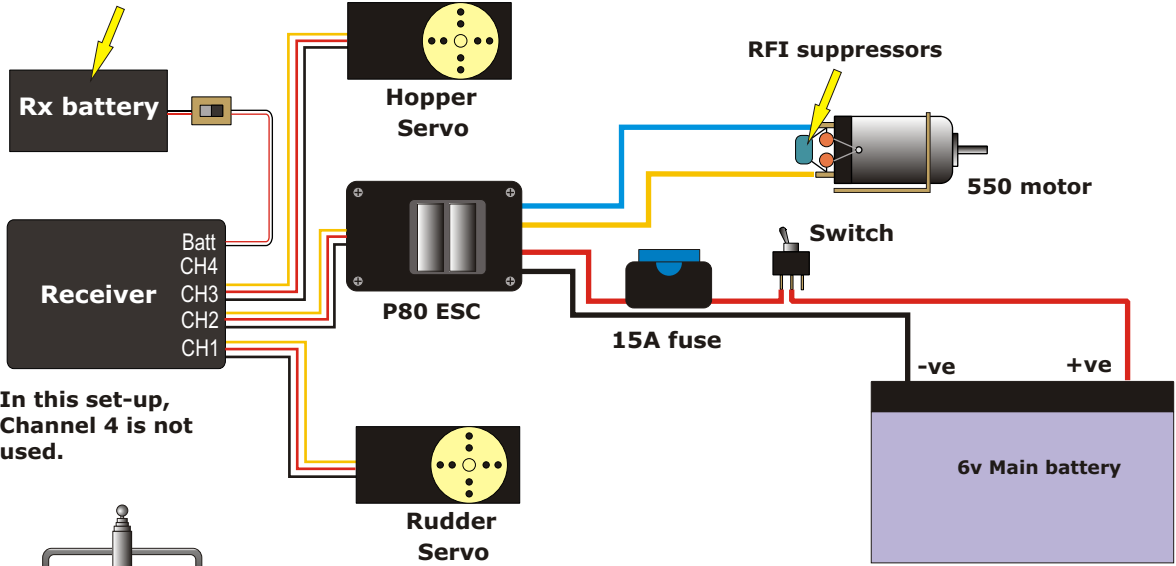
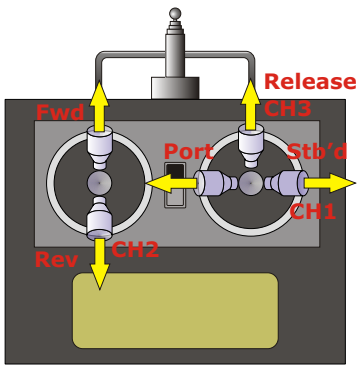


Use battery box and harness supplied with radio.  
It accepts 4 x AA rechargeable cells



In this set-up,  
Channel 4 is not  
used.



**WARNING! ALL UNITS ARE POLARITY- CRITICAL!  
MAKE SURE YOU HAVE CONNECTED THE BATTERY UP  
THE RIGHT WAY AROUND BEFORE SWITCHING ON!**

*Drawn by Dave Milbourn*



© Action R/C Electronics