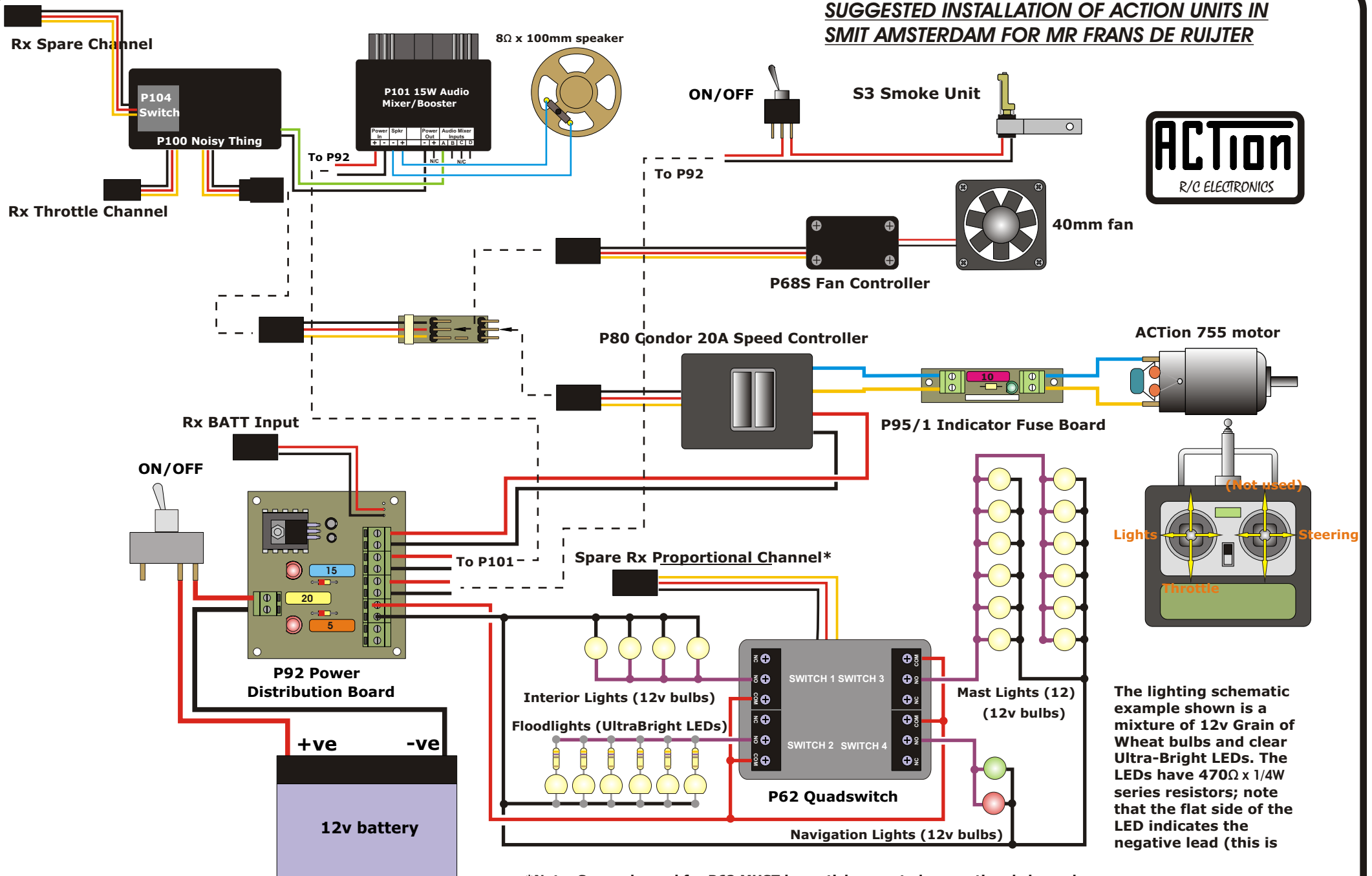


SUGGESTED INSTALLATION OF ACTION UNITS IN SMIT AMSTERDAM FOR MR FRANS DE RUIJTER



The lighting schematic example shown is a mixture of 12v Grain of Wheat bulbs and clear Ultra-Bright LEDs. The LEDs have 470Ω x 1/4W series resistors; note that the flat side of the LED indicates the negative lead (this is

*Note: Spare channel for P62 MUST be a stick-operated proportional channel